

# Technical data sheet

Product features



## Box + evaporator for INFINITY 2011

<b>Model</b>	<b>SAP Code</b>	00012530
--------------	-----------------	----------



- Shock cooling cycle kg / min (+3 ° C): 110/90
- Shock freeze cycle kg / min (-18 ° C): 95/240
- Probe: 4-points
- Insulation thickness [mm]: 80
- Control type: Touchscreen
- Display size: 9"
- User programmable cycles: Yes, with save options
- Thaving cycle: Yes
- Proving cycle: Yes

<b>SAP Code</b>	00012530	<b>Number of GN / EN</b>	20
<b>Net Width [mm]</b>	1190	<b>GN / EN size in device</b>	GN 1/1
<b>Net Depth [mm]</b>	1332	<b>Shock cooling cycle kg / min (+3 ° C)</b>	110/90
<b>Net Height [mm]</b>	2490	<b>Shock freeze cycle kg / min (-18 ° C)</b>	95/240
<b>Net Weight [kg]</b>	518.00	<b>Control type</b>	Touchscreen
<b>Power electric [kW]</b>	3.250	<b>Additional information</b>	It is necessary to purchase one of the cooling units in the recommended accessories and a valve. Cooling unit for INFINITY 2011   RM - UNIT 4 HP Cooling unit for INFINITY 2011 silent   RM - UNIT 4 HP SILENT Cooling unit for INFINITY 4011   RM - UNIT 9 Coo
<b>Loading</b>	400 V / 3N - 50 Hz		

# Technical data sheet

Technical drawing

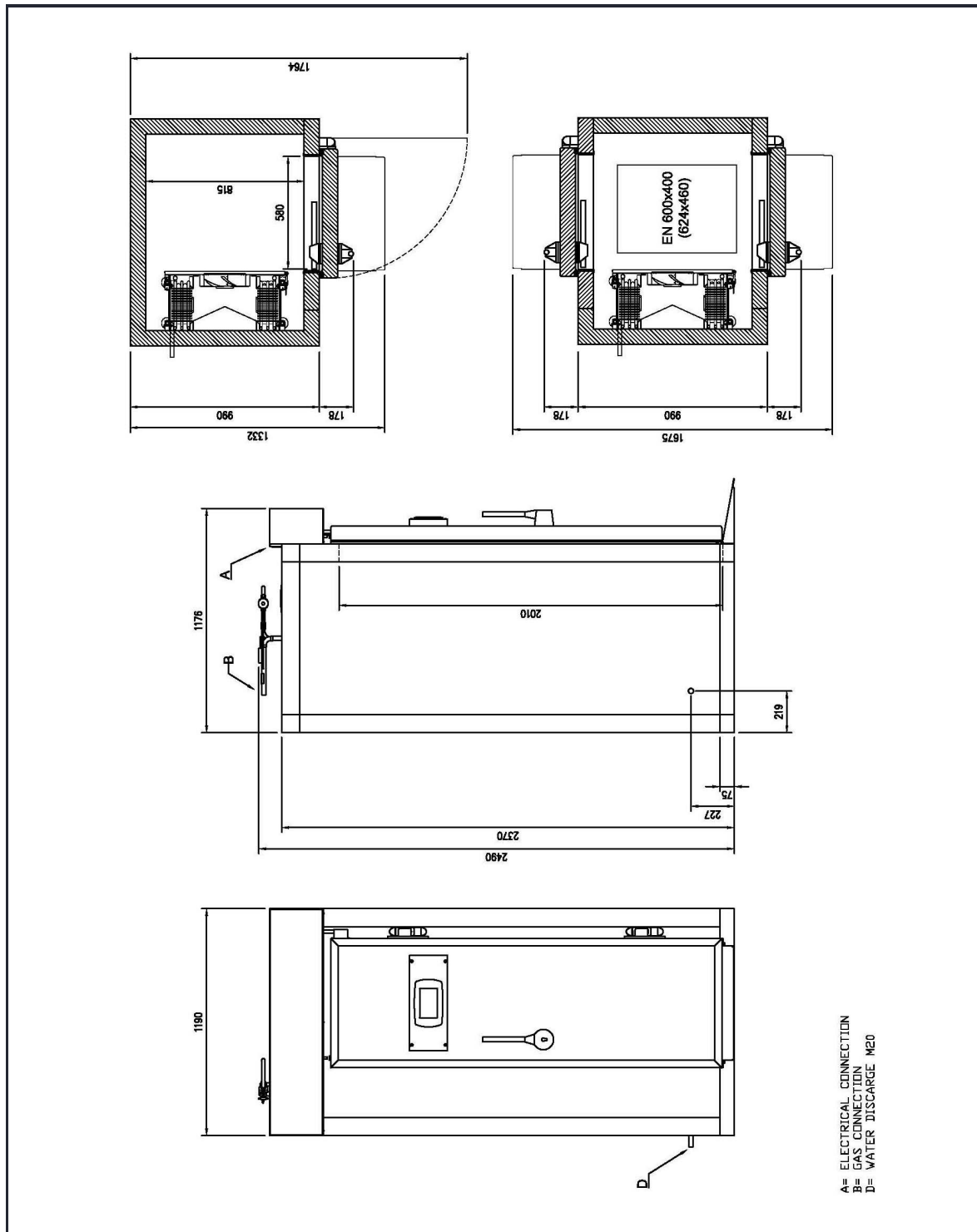


Box + evaporator for INFINITY 2011

Model

SAP Code

00012530



# Technical data sheet

## Product benefits



### Box + evaporator for INFINITY 2011

Model

SAP Code

00012530

1

#### 6 in 1

can replace 6 devices (fridge, freezer, shocker, hotbox, kitchen, oven)

- saves space, time, energy and the cost of additional equipment due to the enormous variability

2

#### Stainless steel body and interior

endurance  
hygiene

- thanks to the all-stainless steel construction it is very easy to maintain and thus saves costs

3

#### Monitoring of HACCP parameters

easy registration of all necessary parameters

- hassle-free proof of proper food handling in the event of an inspection

4

#### Preset cycles

very simple and intuitive operation

- operation can be handled by less qualified operators

5

#### Multipoint probe

precise monitoring of the cooling/freezing/  
cooking temperature

- the probe makes it easier to ensure food safety
- saves energy and time due to the end of cooling/freezing/cooking when temperature is reached

6

#### Thawing

readiness of frozen food for processing on time

- time saving
- controlled food handling

7

#### Cooking during the night

the possibility to preset entire program cycles and run them overnight unattended

- saving equipment capacity during the day
- saving of human capacity and time due to unattended operation of the equipment overnight

# Technical data sheet

Technical parameters



## Box + evaporator for INFINITY 2011

<b>Model</b>	<b>SAP Code</b>	00012530
--------------	-----------------	----------

**1. SAP Code:**

00012530

**15. Control type:**

Touchscreen

**2. Net Width [mm]:**

1190

**16. Display size:**

9"

**3. Net Depth [mm]:**

1332

**17. Refrigerant:**

R452a

**4. Net Height [mm]:**

2490

**18. Number of GN / EN:**

20

**5. Net Weight [kg]:**

518.00

**19. GN / EN size in device:**

GN 1/1

**6. Gross Width [mm]:**

1110

**20. Shock freeze cycle kg / min (-18 ° C):**

95/240

**7. Gross depth [mm]:**

2310

**21. Shock cooling cycle kg / min (+3 ° C):**

110/90

**8. Gross Height [mm]:**

900

**22. Insulation thickness [mm]:**

80

**9. Gross Weight [kg]:**

538.00

**23. Long-term cooling function:**

Yes

**10. Device type:**

Electric unit

**24. Longterm freezing function:**

Yes

**11. Material:**

AISI 304

**25. Probe:**

4-points

**12. Exterior color of the device:**

Stainless steel

**26. Self-diagnostics:**

Yes

**13. Power electric [kW]:**

3.250

**27. HACCP:**

Yes

**14. Loading:**

400 V / 3N - 50 Hz

**28. Low temperature heat treatment:**

Yes

# Technical data sheet

Technical parameters



## Box + evaporator for INFINITY 2011

**Model**

**SAP Code**

00012530

### 29. Low temperature cooking span:

52-85

### 30. Thaving cycle:

Yes

### 31. Proving cycle:

Yes

### 32. User programmable cycles:

Yes, with save options

### 33. USB port:

Yes, for HACCP and firmware update

### 34. Castors:

No

### 35. Real time monitoring paramaters:

Energy consumption, Chamber temperature, Probe temperature, Graph with the course of temperature and consumption

### 36. Standard equipment for device:

It is necessary to purchase one of the cooling units in the recommended accessories and a valve.

### 37. Additional information:

It is necessary to purchase one of the cooling units in the recommended accessories and a valve.

Cooling unit for INFINITY 2011 | RM - UNIT 4 HP

Cooling unit for INFINITY 2011 silent | RM - UNIT 4 HP SILENT

Cooling unit for INFINITY 4011 | RM - UNIT 9

Coo